



FUEL MANAGEMENT SYSTEMS



DISPENSERS



KITS



PUMPS



METERS



NOZZLES

# K700 PULSER

## FEATURES

- EASY TO INSTALL AND TO CALIBRATE
- VERSATILE
- HIGH FLOW RATE
- HEAVY DUTY
- INDUSTRIAL APPLICATIONS

The PIUSI K700 PULSER is an oval gear electronic meter with acetal resin gears. This pulse meter easily interfaces with management systems, making it the ideal solution to fit fuel distributors. It is also suitable for tanks and cisterns, loading arms controlling the consumption of fuel in burners or generator sets, besides other applications.

### PERFORMANCE

**25-250**

L/MIN

FLOW RATE

**20 BAR**

MAX

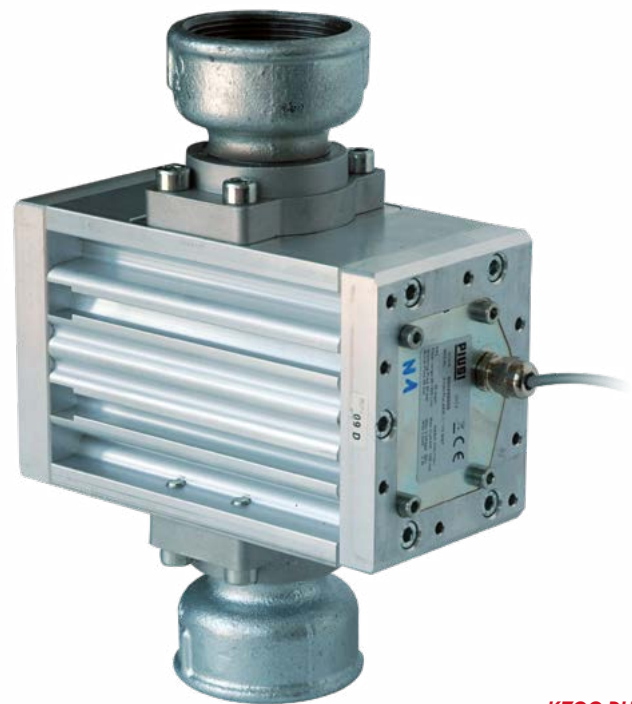
OPERATING PRESSURE

**± 0,5%**

ACCURACY

**0,2%**

REPEATABILITY



K700 PULSER



### PACKAGING

CODE	WEIGHT		PACKAGING		
	KG	LBS	MM	INCH	PCS/BOX

#### PULSER

FOO49800A	5,5	12	280X160X140	11X6,3X5,5	1
-----------	-----	----	-------------	------------	---



FILTRATION



TANK MONITORING



HOSE REEL



ACCESSORIES



MERCHANDISE



ANY BIODIESEL



AIR



ANTIFREEZE



AdBlue®



BIODIESEL



DIESEL



FOOD



GASOLINE



GREASE



KEROSENE



OIL



WATER



WINDSCREEN

### CHART



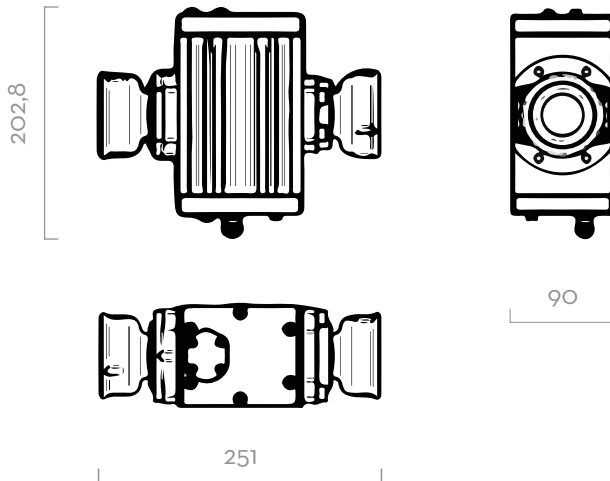
### IN THE BOX

- K700 PULSER METER
- INSTRUCTION MANUAL

### DETAILS



### DIMENSIONS



Dimensions expressed in millimeters

### MATERIALS

- BODY: ALUMINIUM
- GEARS: TECHNOPOLYMER

### TECHNICAL DATA

CODE	DESCRIPTION	FLUIDS TYPE	FLOW RATE		PULSER		PRESSURE		BATTERY N°2 X 1,5V (INCLUDED)	FLANGE	INLET/ OUTLET	INLET FILTER
			L/MIN	GPM	P/L	GPM	BAR	PSI				
<b>FOO49800A</b>	K700 PULSER	<b>A B D O</b>	25 - 250	6,6 - 66	14	53	20	300	NO	YES	2" BSP	YES

#### PULSER

UPON REQUEST AVAILABLE IN NPT VERSION.

## K700 PULSER